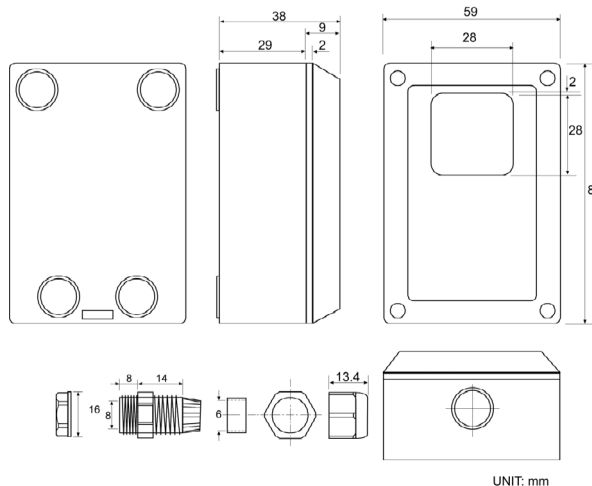


PS-30S

Mini Outdoor 30M Single Beam Infrared Detector

FEATURES

1. Solid state circuit
2. Durable housing
3. Minimum false alarm
4. Suitable for window, balcony, gate, garage door and corridor



SPECIFICATION

Detection Method	Single beam cut off detection
Sensing Range	Outdoor 30 meters
Input Voltage	AC/DC 10-24V
Response Time	100 ms
Emitting Element	IR LED
Operation Indicator	Red Led(Rx): off (when beam is broken), Green Led(Tx):on
Output Method	Relay output (N.C./N.O./Common)
Alarm Duration	2 seconds
Current Consumption	Tx: 33.5mA / Rx: 27.5mA (when beam is aligned) Tx: 33.5mA / Rx: 13mA (when beam is broken)
Contact Current	1A/120VAC
Tx power adjustment	1. Strong: short the jumper 2. Normal: jumper open
Beam angle adjustment	Horizontally: $\pm 5^{\circ}$ C ; Vertically: $\pm 5^{\circ}$ C
Anti Illumination	Lamplight<10,000 Lux ; Sunlight<30,000 Lux
Connection Method	Terminal Block
Noise Resistance	1500Vp-P/1us
Surge Resistance	2KV/1uS
Vibration Resistance	10-55hZ/1.5mm, 2 Hour In X.Y.Z. Phase
Housing Material	Case: Black Nylon; Lens: PC
Bracket	With plastic wall mount bracket
Operating Temp.	-25 $^{\circ}$ C ~ 60 $^{\circ}$ C
Water Proof Level	IP-66
Dimensions WxHxDmm	59 * 87* 38
Weight per set	170 g
Safety Standard	CE