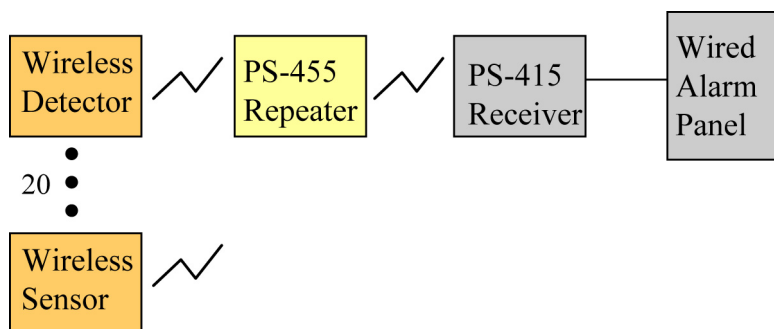


PS-455 REPEATER TRANSMITTER

P O S O N I C[®]

The PS-455 Repeater transmitter increases the effective distance & range of wireless sensors & detectors and thereby enhances the overall power & versatility of the system.

The PS-455 is work on the "hopping code system" so it has no dip switch's making it installable in seconds and able to accept a rotation of over 1,000,000 different system code combinations.



FEATURES

- Increasing the distance between the wireless receiver PS-415 and the wireless detectors.
- LED indicates the receiving and transmitting signal OK.
- It can register total 20 pcs of wireless sensors ID code repeater signal to the receiver.

SPECIFICATIONS

Power	DC9V with adaptor, 9V backup battery。
Operating Current	Max 100mA
Operating Temperature	-10°C to 40°C
Dimension	110 x 70 x 25mm (LxWxD)